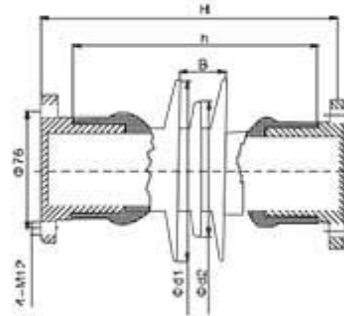
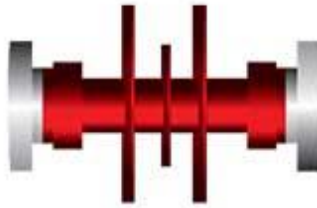


10kV (11kV、12kV) 支柱复合绝缘子 10kV (11kV、12kV) Post Composite Insulator



10kV(11kV、12kV) 支柱复合绝缘子示意图
The Diagram of 10kV (11kV/12kV) Post Composite Insulator

10kV(11kV、12kV) 支柱复合绝缘子主要尺寸与特性
Main Dimension and Characteristics of 10kV(11kV、12kV) Post Composite Insulator

Serial Number 序号	Type of insulator 绝缘子型号	Specified Voltage 额定电压	Specified Breaking Withstand Load 额定断口耐受负荷	Section Length 绝缘长度	Min. Arcing Distance 最小爬电距离	Big Shed Diameter 大伞直径	Min Nominal Creepage Distance 最小公称爬电距离	Lighting Impulse Withstand Voltage(Peak Value) 雷电冲击耐受电压(峰值)	Power Frequency Withstand Voltage Lin. Wei(RMS) 工频 交流耐受电压(有效值)	Reference Weight 参考重量
		kV	kN	H mm	h mm	d1 mm	L mm	U kV	U kV	kg
1	FZSW-10(11/12)6	10/11/12	6	215±5	125	140	380	95	36	1.9
2	FZSW-10(11/12)8	10/11/12	8	215±5	125	146	380	95	36	2.2

说明：产品的尺寸、特性、连接方式和伞裙颜色等可按照客户具体要求设计、生产
Note: Product's dimension, characteristics, connecting type, shed color, etc can be designed and manufactured in accordance with customer's requirements.