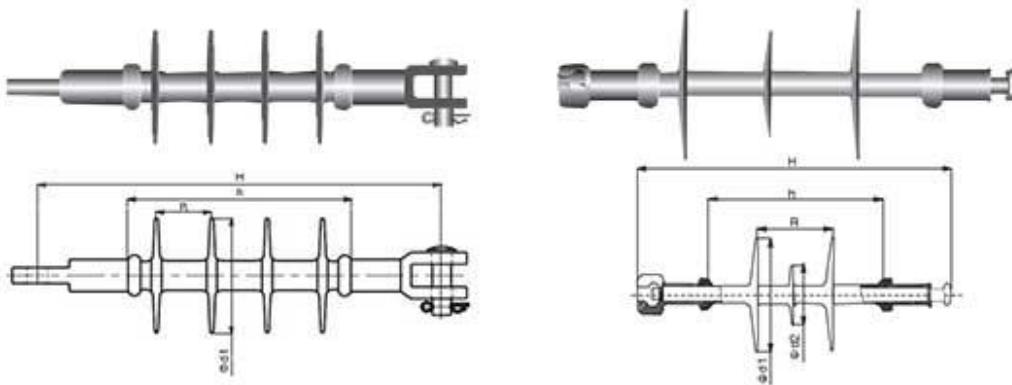


10kV 棒形悬式复合绝缘子 10kV Composite Long Rod Suspension Type Insulator



10kV 棒形悬式复合绝缘子示意图  
10kV Composite Long Rod Suspension Type Insulator Schematic Diagram

10kV 棒形悬式复合绝缘子主要尺寸与特性  
Main Dimensions and Characteristics of 10kV Composite Long Rod Suspension type Insulator

序号 Serial Number	绝缘子型号 Type of Insulator	额定电压 Specified Voltage	额定机械负荷 Specified Mechanical Tensile load	绝缘长度 Section Length	最小爬电距离 Min. Arding Distance	大伞直径 Big shed Diameter	最小公称爬电距离 Min Nominal Creepage Distance	雷电冲击耐受电压(峰值) Lightning Impulse Withstand Voltage(Peak Value)	工频(交流)耐受电压(有效值) Power Frequency Withstand Voltage Min. Value(RMS)	参考重量 Reference Weight
		kV	kN	H mm	h mm	d1 mm	L mm	≥ kV	≥ kV	kg
1	FX8W-10/70	10	70	345 ± 15	170	97	435	110	50	1.2
2	FX8W-10/70	10	70	365 ± 15	180	144	500	110	60	1.6

说明：产品的尺寸、特性、连接方式和伞裙颜色等可按客户具体要求设计、生产  
Note: Product's dimension, characteristics, connecting type, shed color, etc can be designed and manufactured in accordance with customer's requirements.