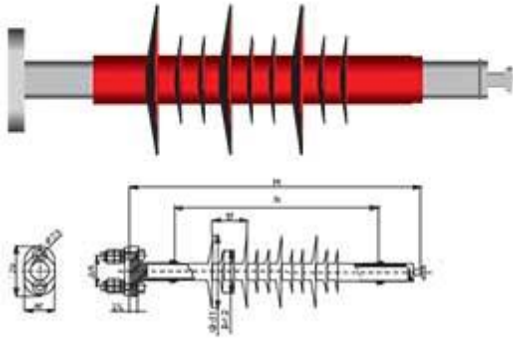
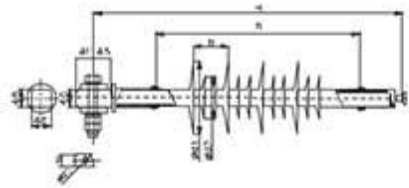


35kV 防风偏复合绝缘子 35kV Wind Deflection Composite Insulator



35kV 防风偏复合绝缘子示意图 (N-T型)  
35kV Wind Deflection Composite Insulator Diagram (N-T Type)



35kV 防风偏复合绝缘子示意图 (D-T型)  
35kV Wind Deflection Composite Insulator Diagram (D-T Type)

35kV 防风偏复合绝缘子主要尺寸与特性

Main Dimensions and Characteristics of 35kV Wind Deflection Composite Insulator

序号 Serial Number	绝缘子型号 Type of Insulator	额定电压 Specified Voltage	额定机械负荷 Specified Mechanical Tensile Load	额定弯矩 Specified Bending Moment Load	连接结构 Connection Structure Mark	绝缘长度 Section Length	最小爬电距离 Min. Arcing Distance	大伞直径 Big Shed Diameter	最小公称爬电距离 Min Nominal Creepage Distance	防风偏弯曲负荷 Deflection Under Bending Load	雷电冲击耐受电压(峰值) Lightning Impulse Withstand Voltage (Peak Value)	工频耐受电压(有效值) Power Frequency Withstand Voltage (RMS)	参考重量 Reference Weight
		kV	kN	kN		H mm	h mm	φ1 mm	L mm	W mm	W kV	W kV	kg
1	FYTX-35/70-0.4-NT	35	70	0.4	16	700±15	440	190	1400	200	230	95	6.7
2	FYTX-35/70-0.4-DT	35	70	0.4	16	710±15	440	190	1400	200	230	95	6.7

说明: 产品的尺寸、特性、连接方式和伞裙颜色等可按照客户具体要求设计、生产

Note: Product's dimension, characteristics, connecting type, shed color, etc can be designed and manufactured in accordance with customer's requirements.