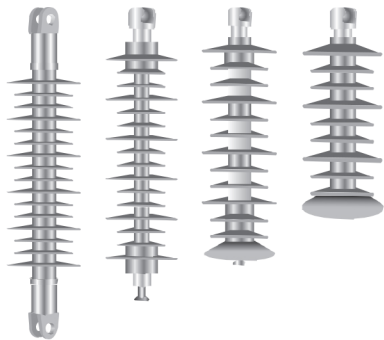


AF线悬棒式复合绝缘子 AF Wire Hanging Long Rod Composite Insulator



AF线悬棒式复合绝缘子主要尺寸与特性

Main Dimension and Characteristics of AF Wire Hanging Long Rod Composite Insulator

序号 Serial Number	产品型号 Product Type	额定电压 Specified Voltage	额定机械 抗拉机械 抗拉破坏负荷 Tensile Failing Load	结构高度 Section Length	最小绝缘距离 Min Insulation Distance	最小公称爬电距离 Min nominal Creepage Distance	雷电全波冲击耐受电压 (雷电冲击耐受电压) Lightning Impulse Withstand Voltage (Peak Value)	人工污秽工频耐受电压 (盐沉积密度) (盐密: 0.3mg/cm ² (kV)) Artificial pollution Power Frequency Withstand Voltage (Salt Deposit Density)	工频耐受电压 Power Frequency/Withstand Voltage Test-Wet
		kV	kN	H mm	h mm	L mm	kV	kV	kV
1	FQX-25/120-584	25	120	584	526	1600	270	/	150
2	FQX-25 120-600	25	120	600	490	1600	270	32	120
3	FQX-25 120-630	25	120	630	430	1600	270	32	130

说明: 产品的尺寸、特性、连接方式和伞裙颜色等可按照客户具体要求设计、生产

Note: Product's dimension, characteristics, connecting type, shed color, etc can be designed and manufactured in accordance with customer's requirements.